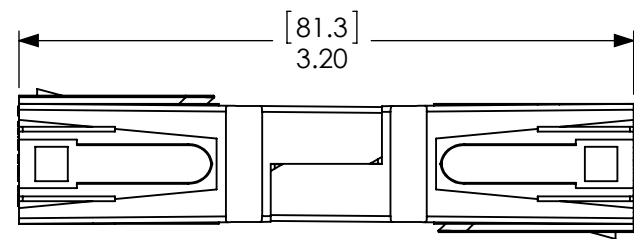
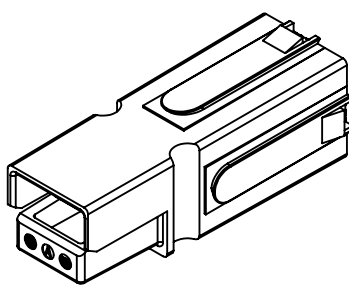
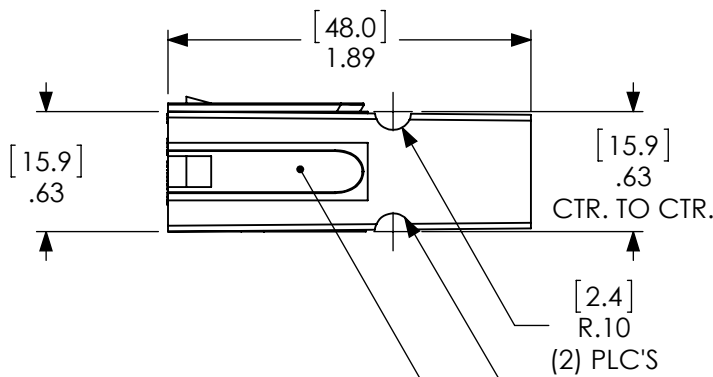


THE INFORMATION CONTAINED IN THIS DRAWING IS THE SOLE PROPERTY OF ANDERSON POWER PRODUCTS. ANY REPRODUCTION IN PART OR WHOLE WITHOUT THE WRITTEN PERMISSION OF ANDERSON POWER PRODUCTS IS PROHIBITED.

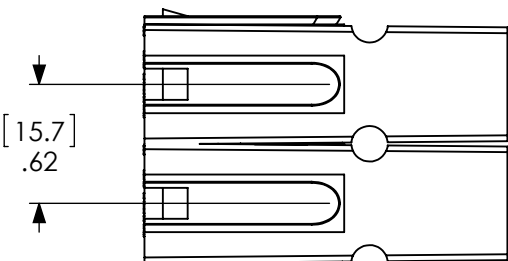
Copyright 2001

ANDERSON POWER PRODUCTS RESERVES THE RIGHT TO ALTER PRODUCT TYPES, THEIR TECHNICAL DATA, DIMENSION, STYLE AND ACCESSORIES WITHOUT PRIOR NOTIFICATION.

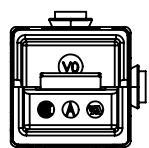
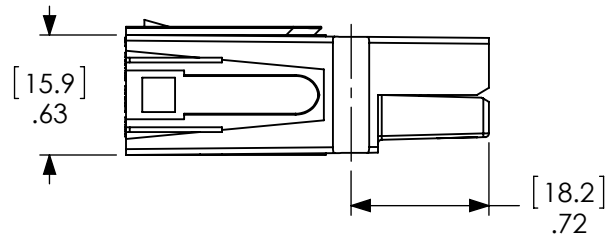


MATED PAIR OF HOUSINGS

WHEN MATED SIDE TO SIDE, HALF-ROUNDS ALIGN TO FORM A SLOT FOR ROLL PIN INSERTION (OPTIONAL).



BLOCKED CONNECTOR SPACING



CAT. NO.	COLOR
75LOKBLU	BLUE
75LOKBLK	BLACK
75LOKWHT	WHITE
75LOKGRN	GREEN
75LOKRED	RED

NOTES:

1. SPRING/HOUSING ASSEMBLIES ARE UL RECOGNIZED PER FILE E26226 AND CSA CERTIFIED PER LR25154.
2. THESE HOUSING ASSEMBLIES ACCOMODATE ANDERSON CONTACTS FOR WIRE RANGES FROM #12 AWG TO #6 AWG.
3. FOR ASSEMBLY INSTRUCTIONS, SEE DOCUMENT 1S1072.
4. HOUSINGS: POLYCARBONATE, UL94V0.  
SPRING: STAINLESS STEEL  
FOR OTHER COLORS, CONSULT ANDERSON POWER PRODUCTS

DIMENSIONS ARE IN:	INCH [MM]	<b>APPROVALS</b>		<b>ANDERSON POWER PRODUCTS</b>		
UNLESS OTHERWISE STATED		DRAWN		<b>TITLE</b> PP75 LOCKING HOUSING		
TOLERANCES:		CMS	5/18/2001			
DECIMALS (INCH)	DECIMALS (MM)	CHECKED		<b>SIZE</b> A		
.XX ± .02	.X ± .5	DJD	5/23/2001			
SURFACE FINISH:		MFG APPRV		<b>DWG NO.</b> 114321S1		
MACHINED	128µin [3.2µ]	UFN	5/25/2001			
MOLDED	64µin [1.6µ]	QC APPRV		<b>REV.</b> 2		
MATERIAL:		CHB	5/25/2001			
SEE NOTES		ENG APPRV		<b>SCALE</b> NONE		
FINISH:		RPO	5/23/2001			
AS MOLDED		-CAD GENERATED DRAWING- DO NOT MANUALLY UPDATE DO NOT SCALE		<b>CADFILE</b> 01443		<b>SHEET</b> 1 OF 1

REV.	DESCRIPTION	APPRV	DATE
2	ECRN-15089 UPDATE	TWE	3/16/12
1	ECRN-14018 ADDED 75LOKRED	AF	5/25/06

REVISIONS